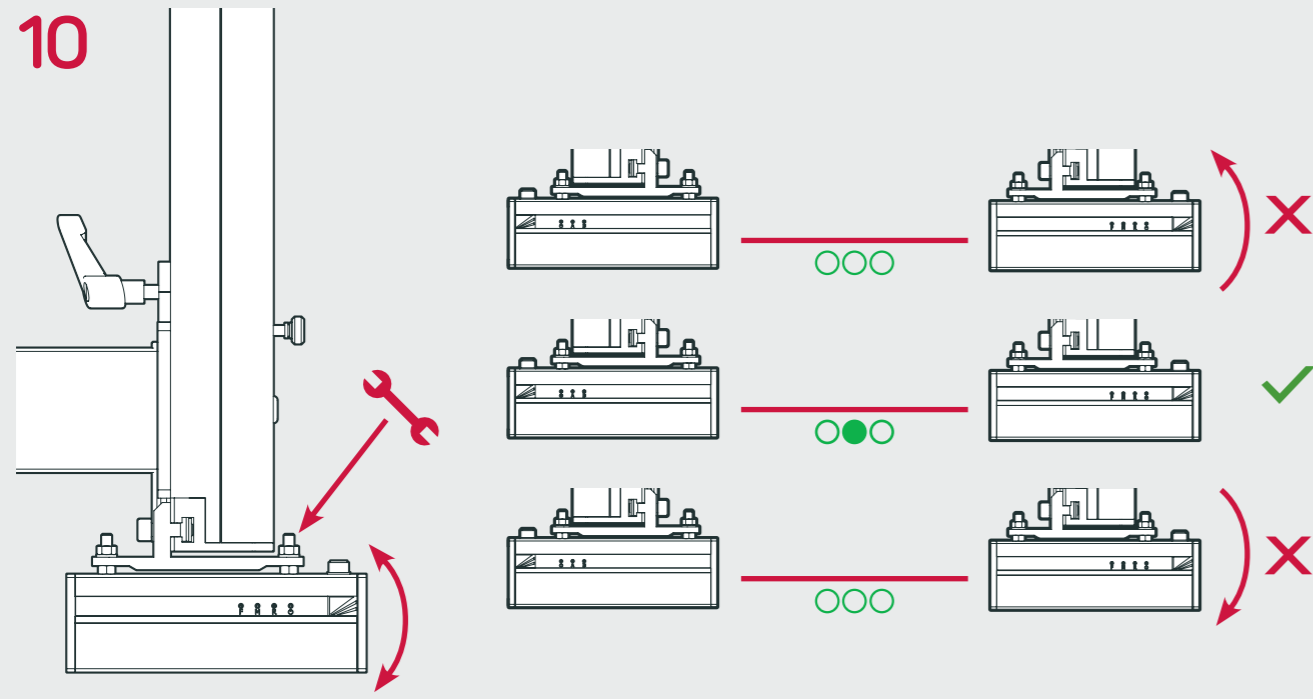


10

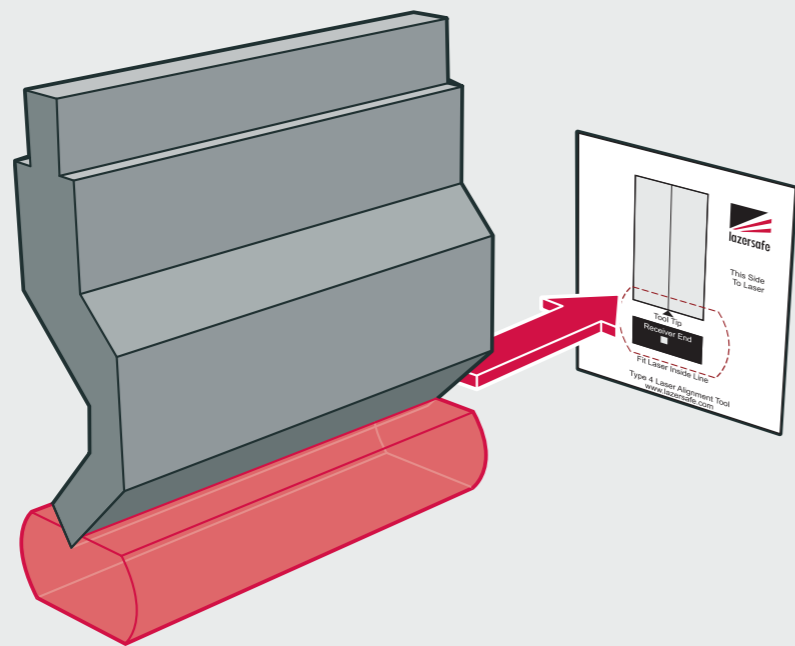


LZS-2 Alignment Guide

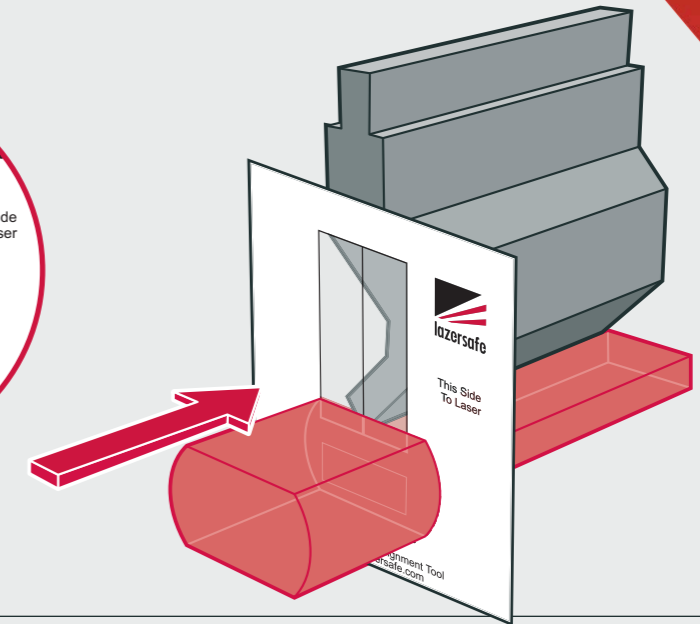
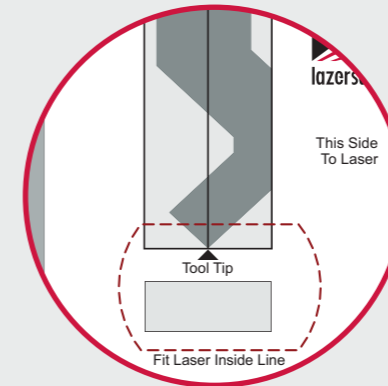
LS-CS-M-101 REV 1.0

FOR USE WITH LZS-2

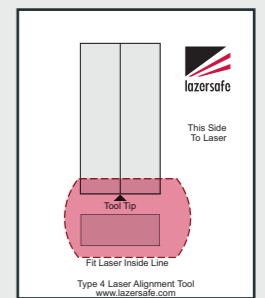
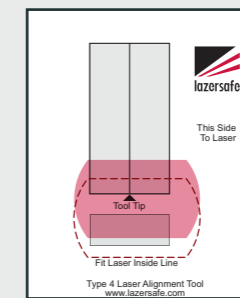
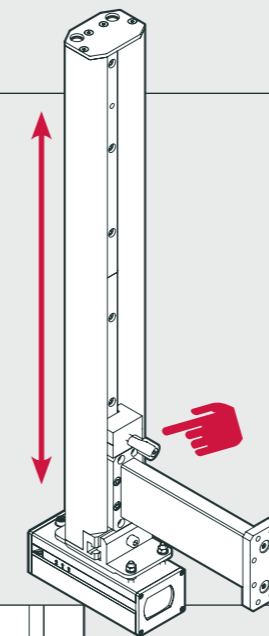
11



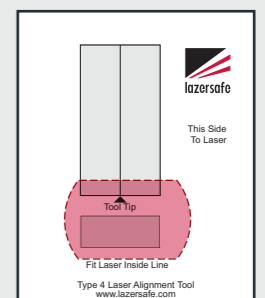
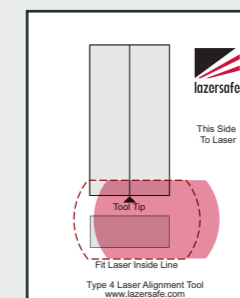
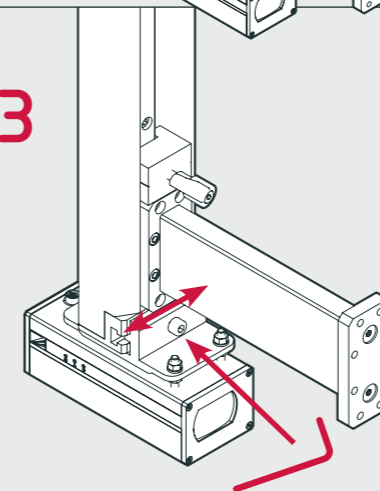
01



02



03



Performance without compromise.™

27 Action Road, Malaga WA 6090, Australia

PO Box 2368, Malaga WA 6944, Australia

+61 8 9249 4388 +61 8 9249 6011

info@lazersafe.com

lazersafe.com

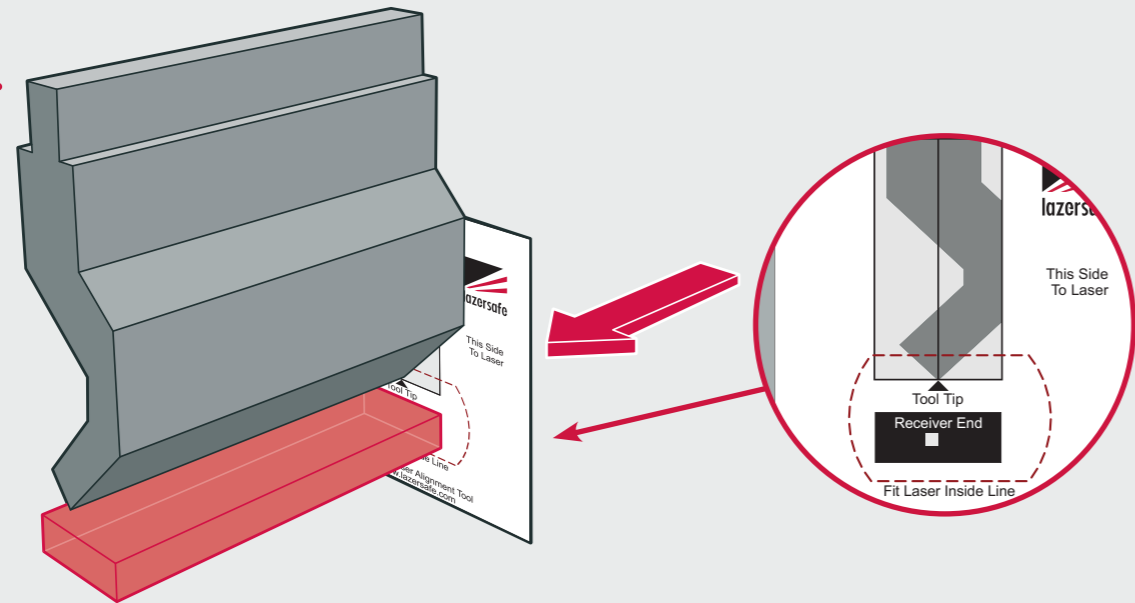
LS-CS-M-101 REV 1.0

"Lazer Safe" and "LZS-2" are trademarks of Lazer Safe Pty Ltd.

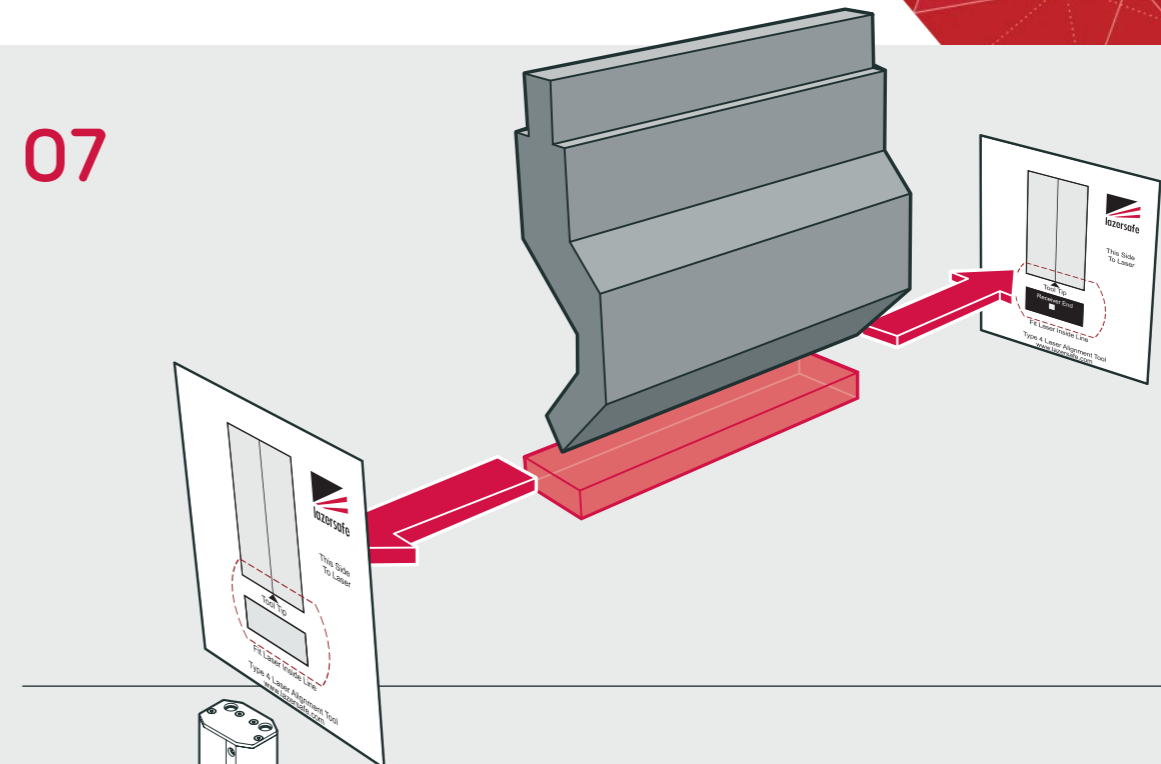
LZS-2 Alignment Guide



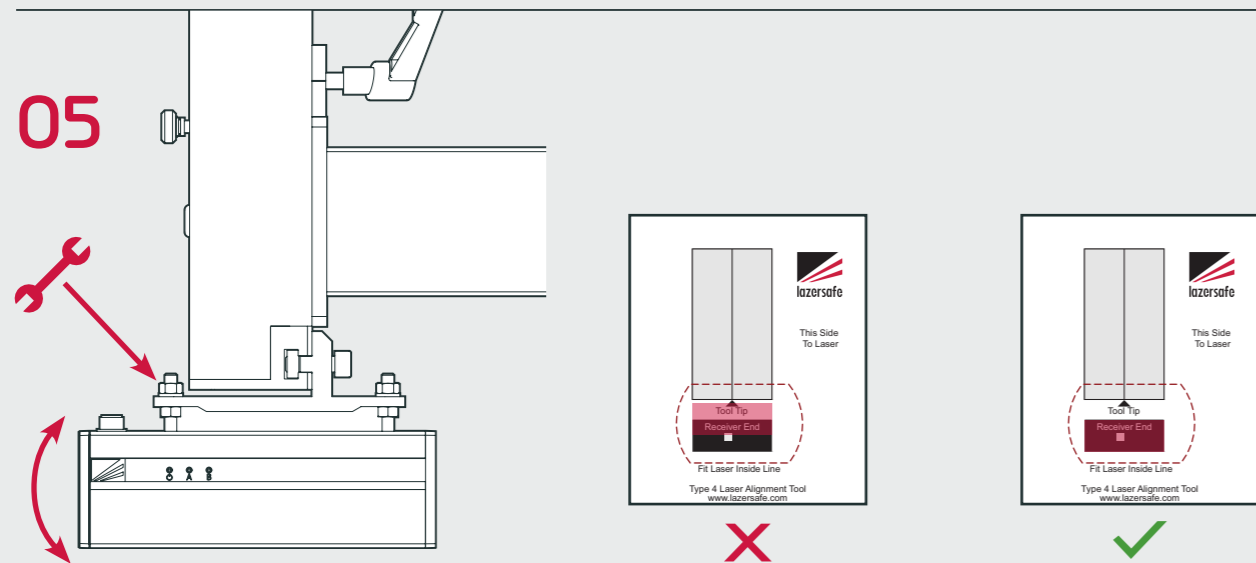
04



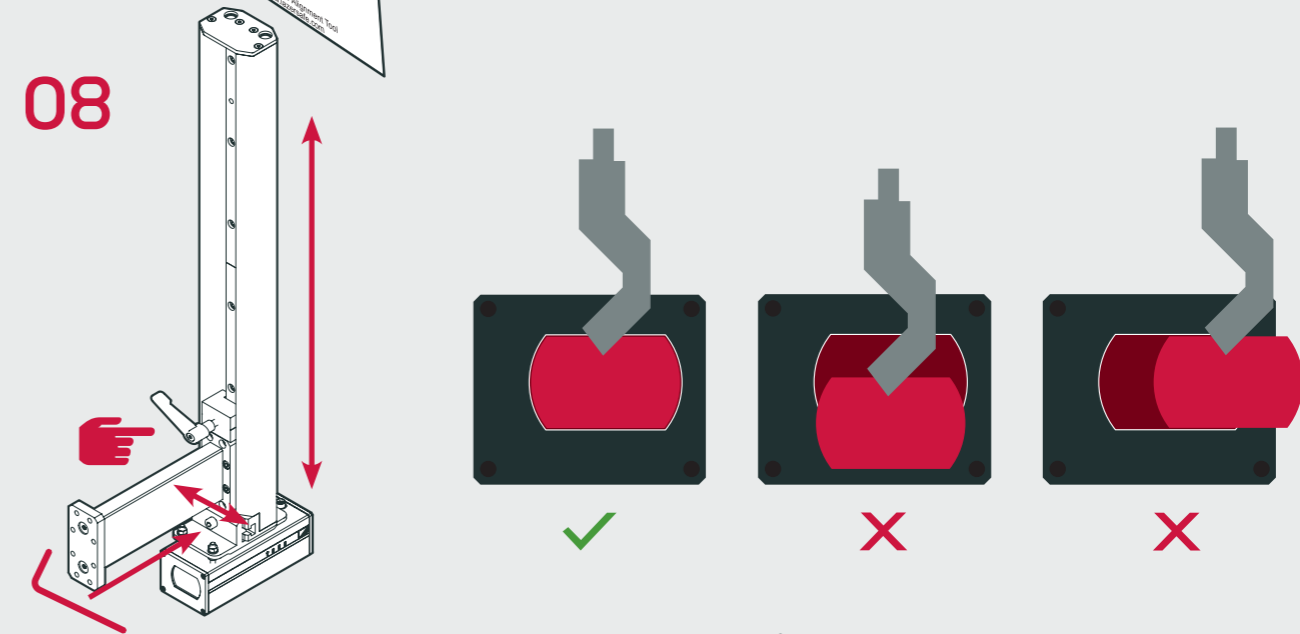
07



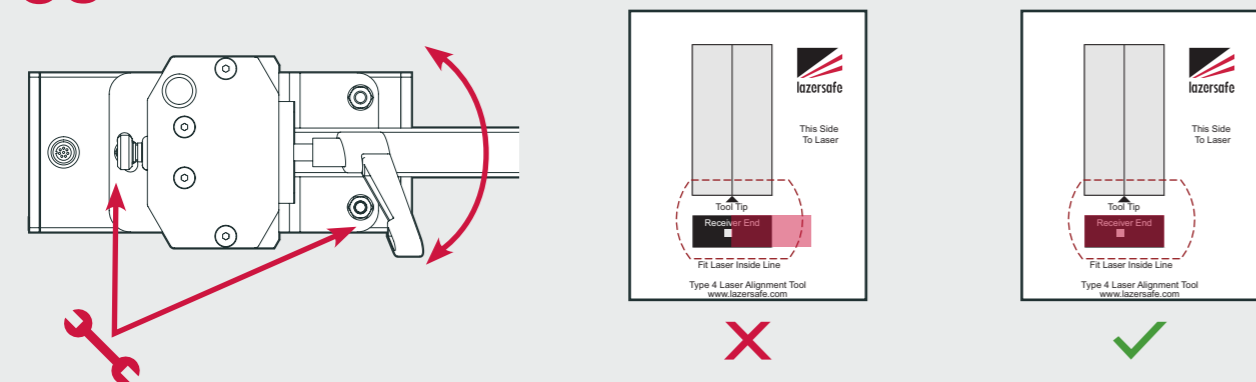
05



08



06



09

