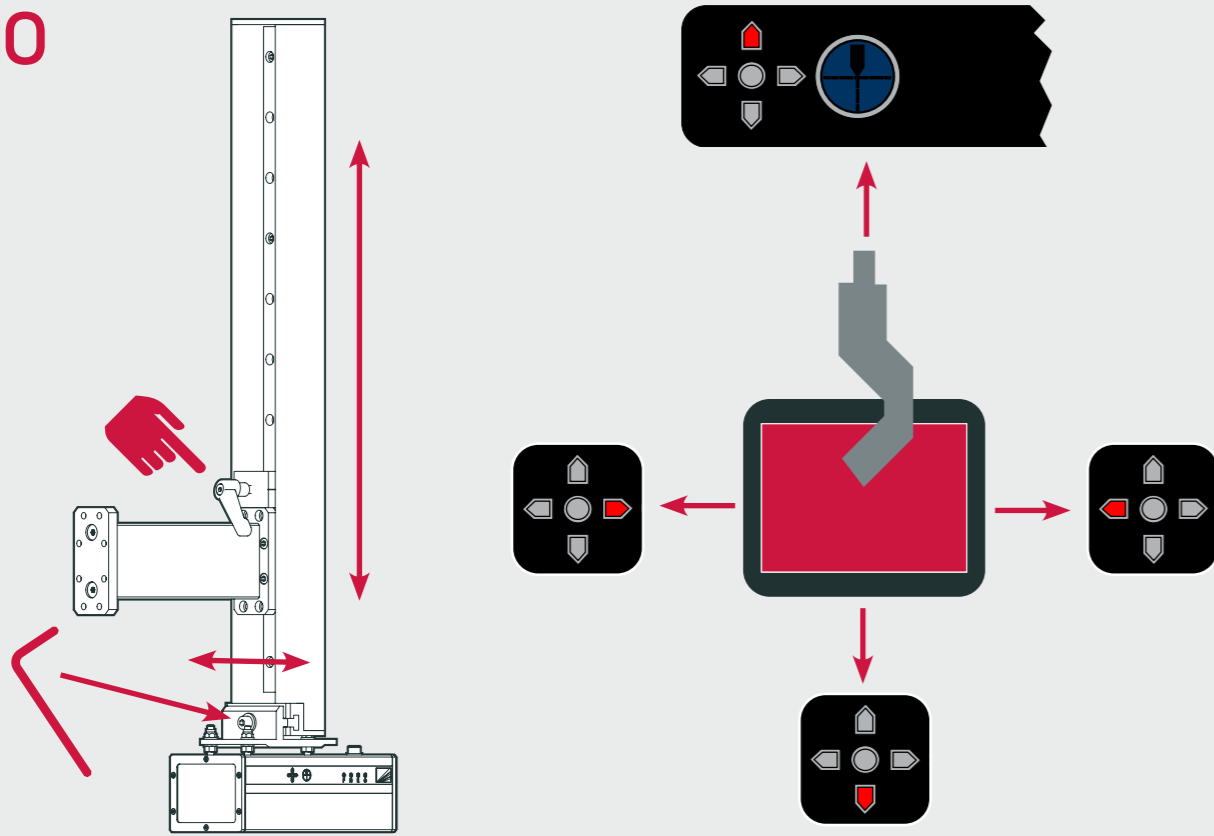
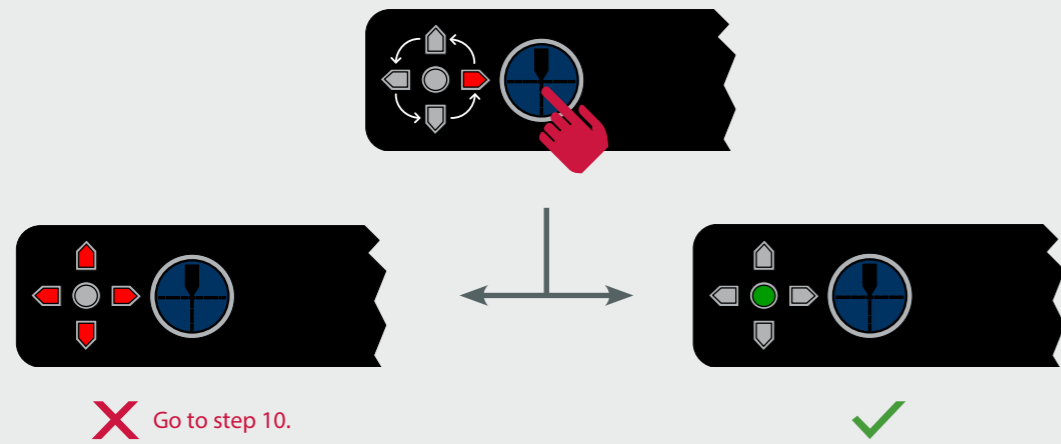


10



11

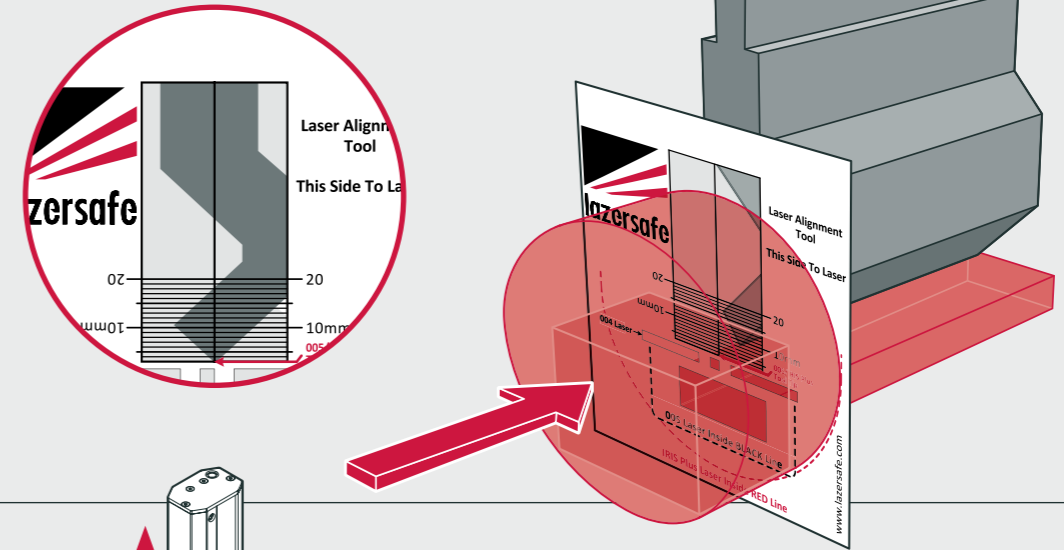


Block Laser Alignment Guide TYPE 1

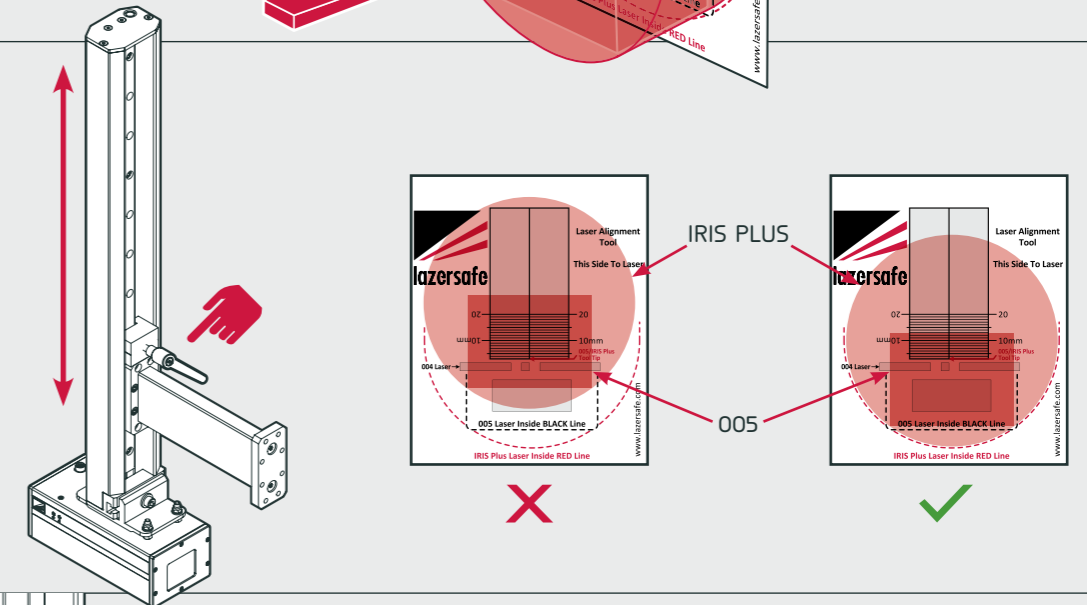
LS-CS-M-025 REV 2.3

FOR USE WITH
LZS-005 &
IRIS PLUS

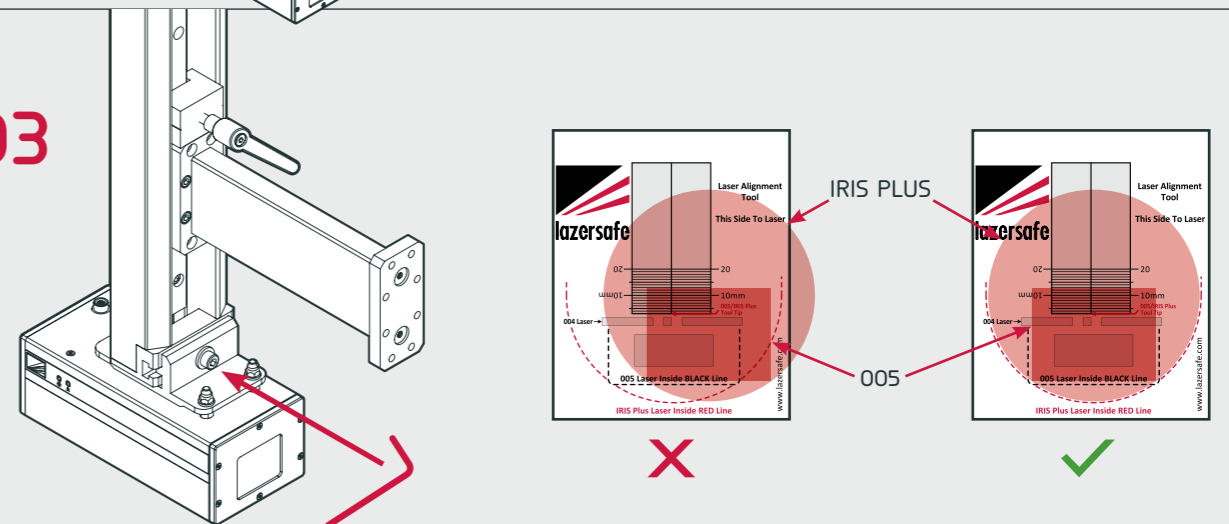
01



02



03



Performance without compromise.™

27 Action Road, Malaga WA 6090, Australia
 PO Box 2368, Malaga WA 6944, Australia
 +61 8 9249 4388 +61 8 9249 6011 info@lazersafe.com
 lazersafe.com

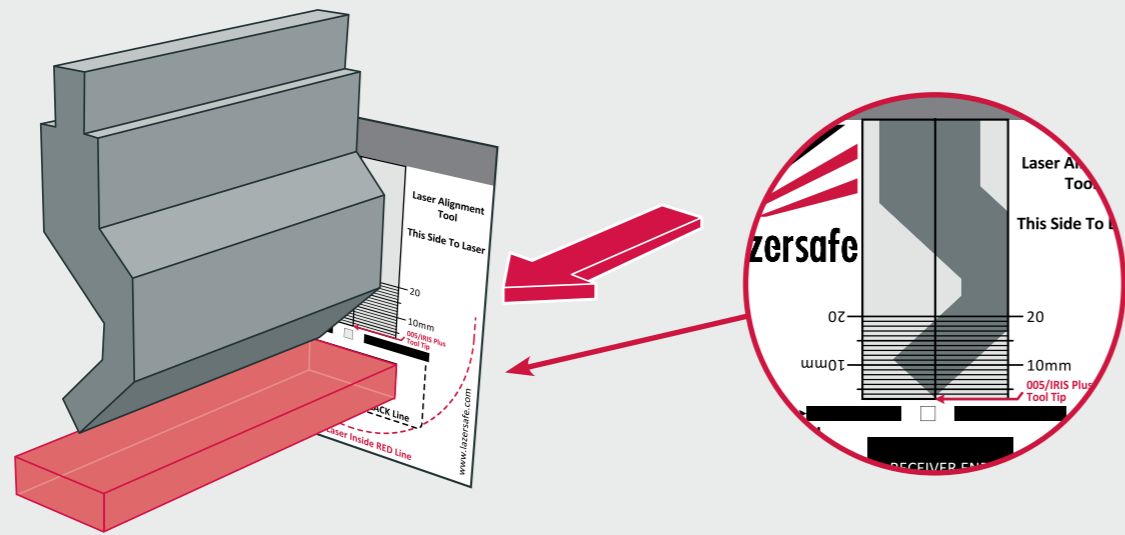
LS-CS-M-025 REV 2.3

"Lazer Safe", "LZS-005", "IMG-100" and "IRIS Plus" are trademarks of Lazer Safe Pty Ltd.

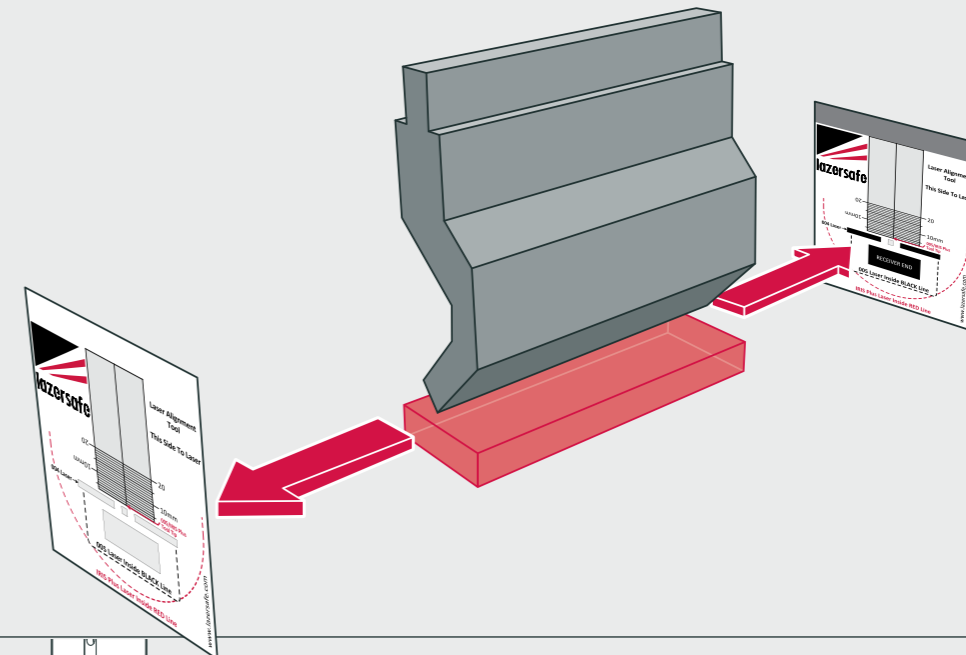
Block Laser Alignment Guide TYPE 1



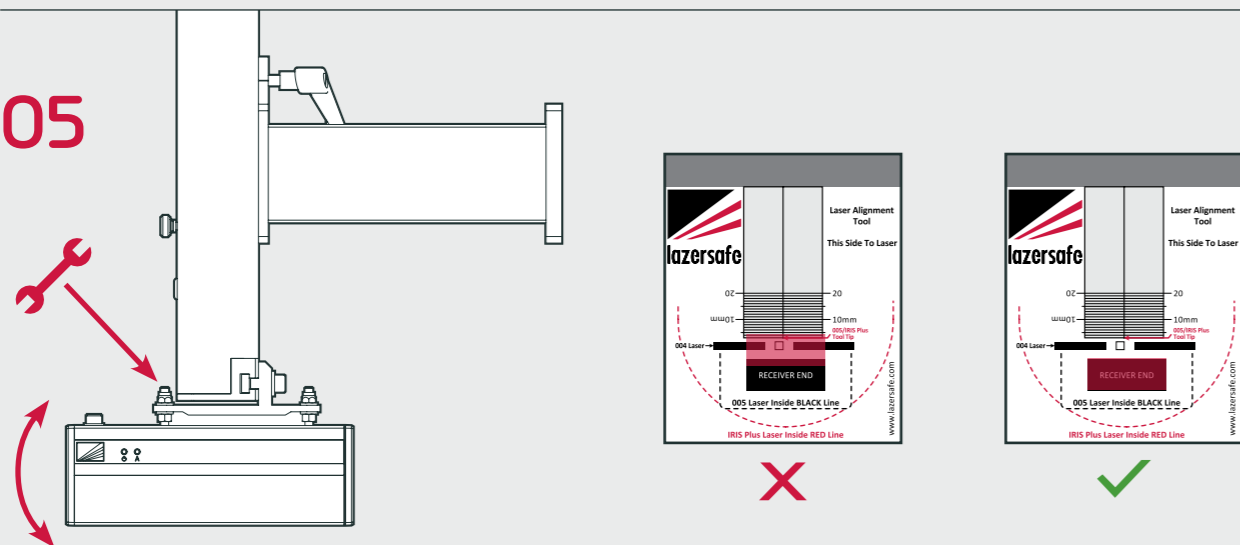
04



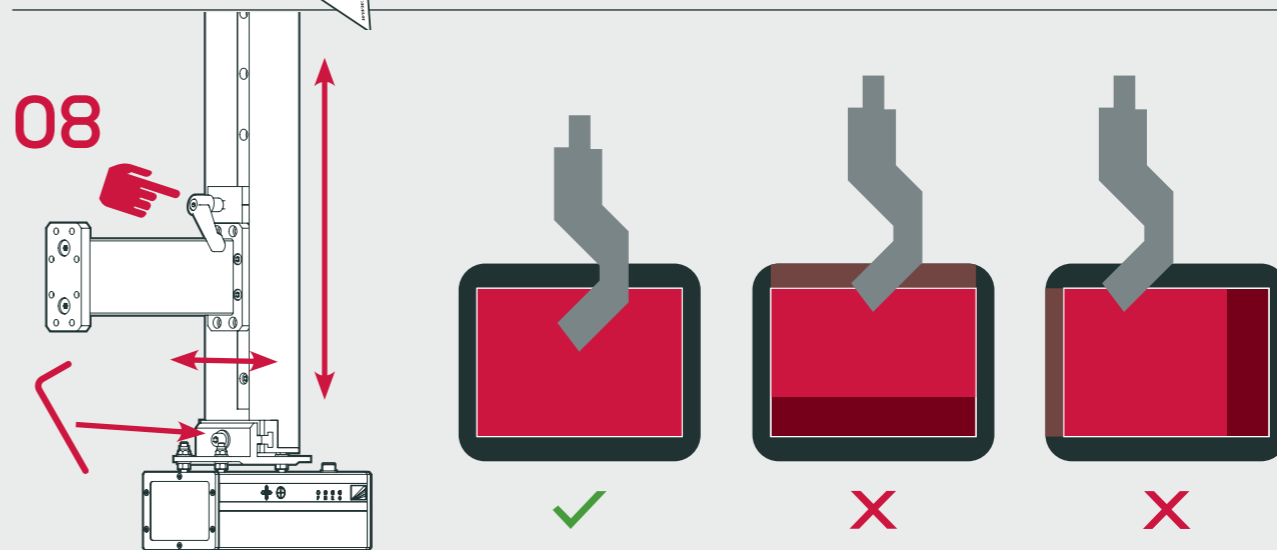
07



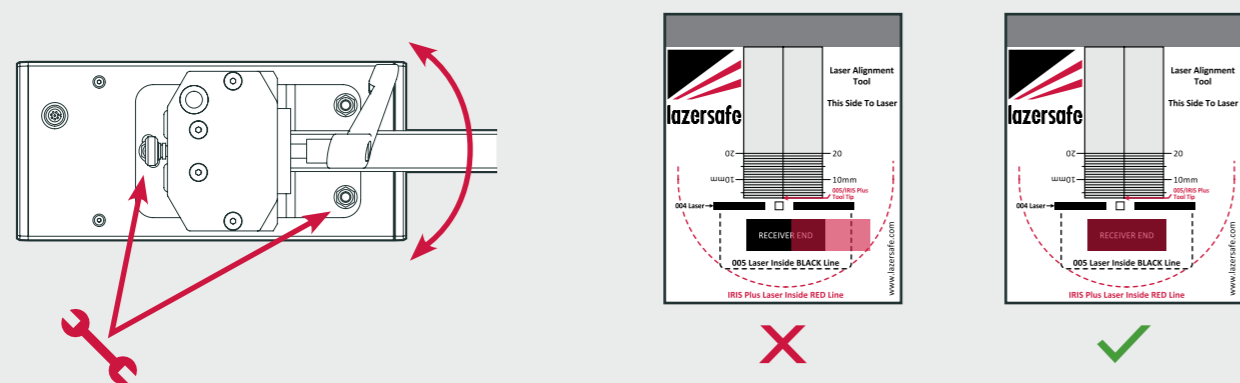
05



08



06



09

