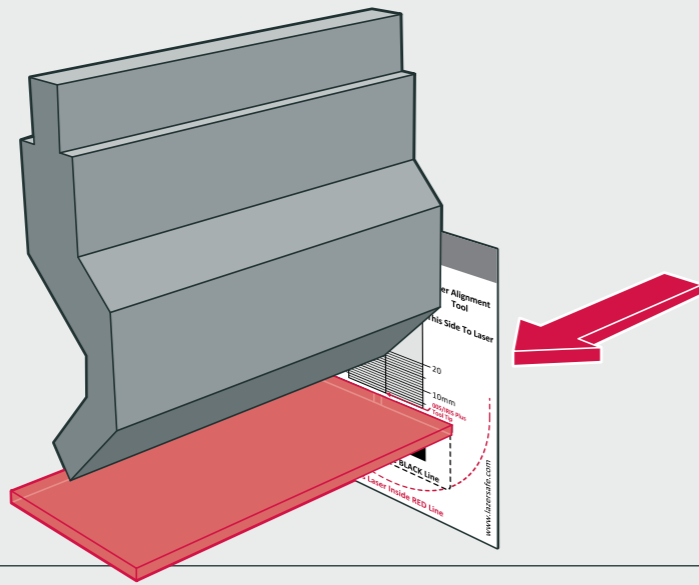
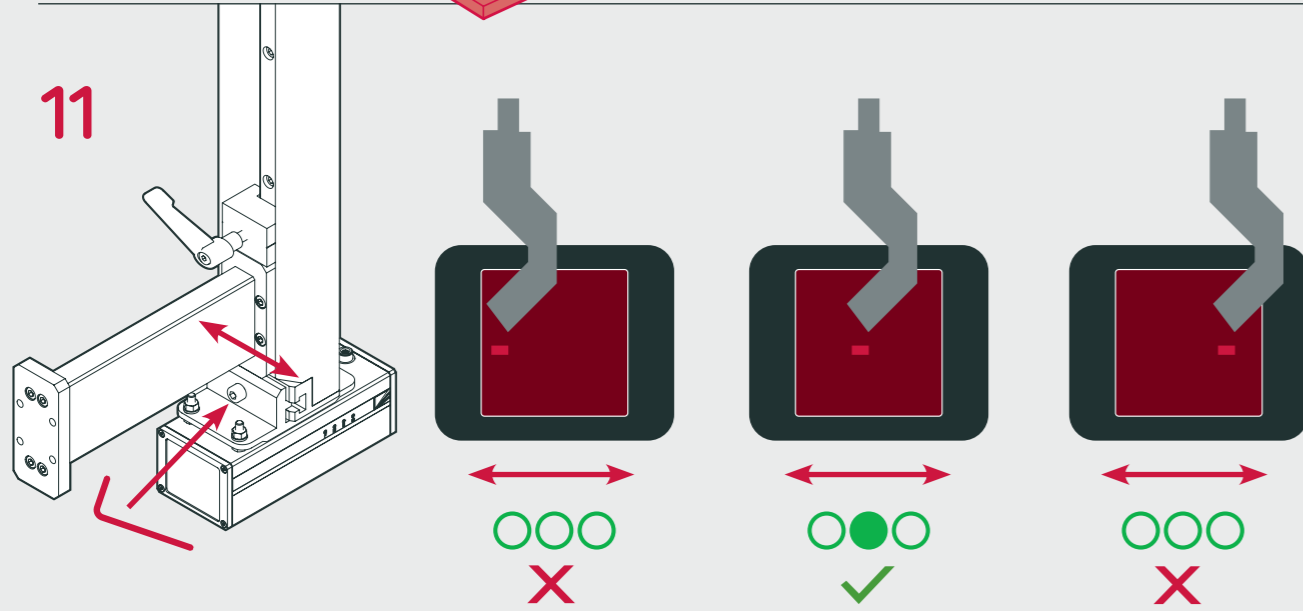


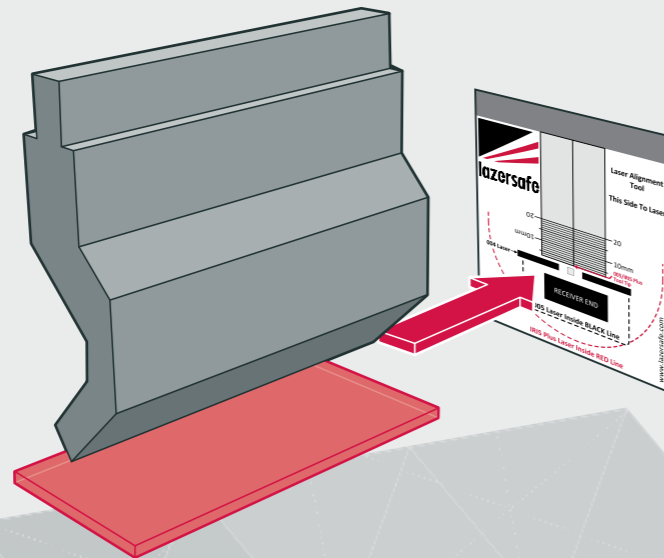
10



11



12

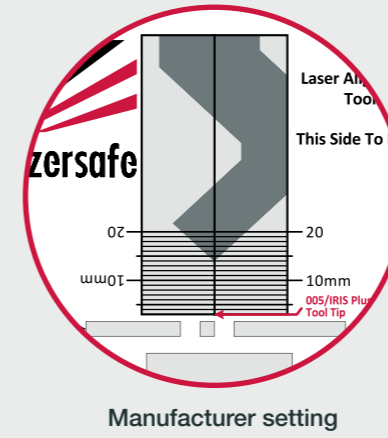


Planar Laser Alignment Guide

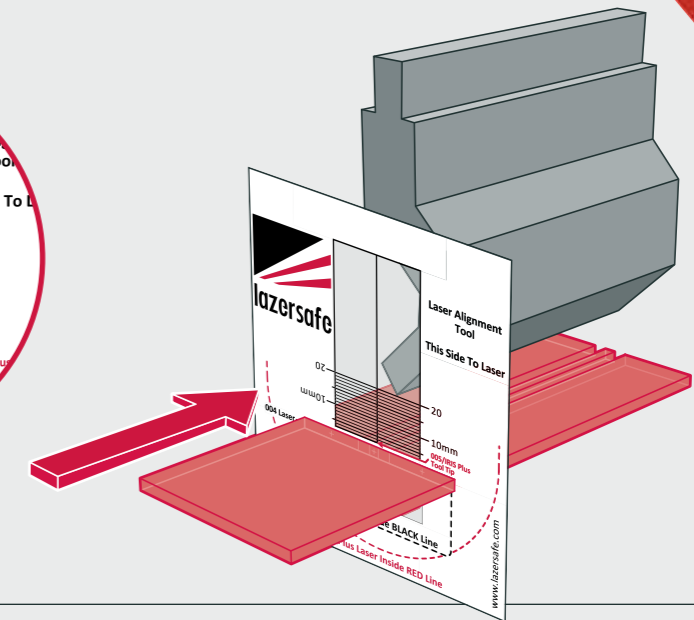
LS-CS-M-017 REV 2.2

FOR USE WITH
LZS-1, LZS-004,
LZS-004-HS,
LZS-LG &
LZS-LG-HS

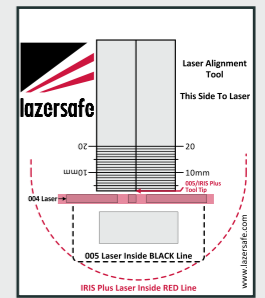
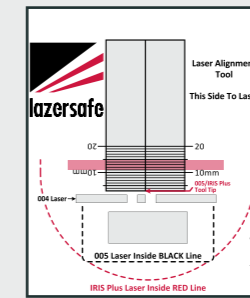
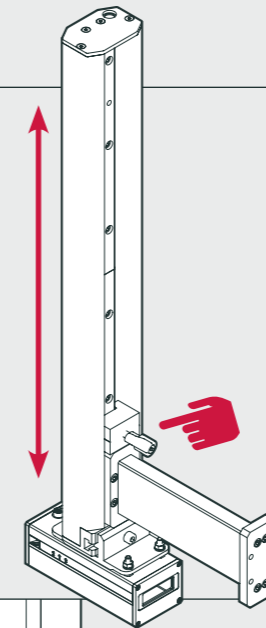
01



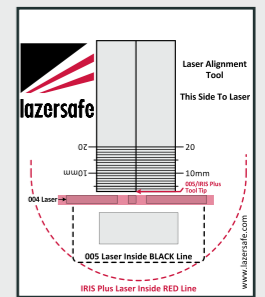
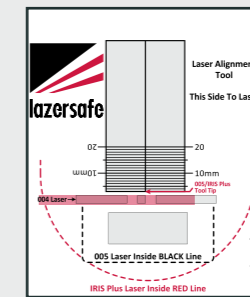
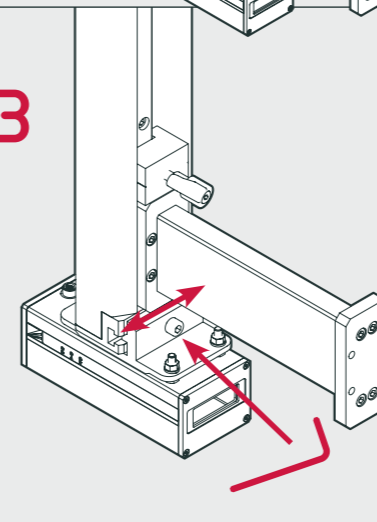
Manufacturer setting



02



03



Performance without compromise.™

27 Action Road, Malaga WA 6090, Australia

PO Box 2368, Malaga WA 6944, Australia

+61 8 9249 4388

+61 8 9249 6011

info@lazersafe.com

lazersafe.com

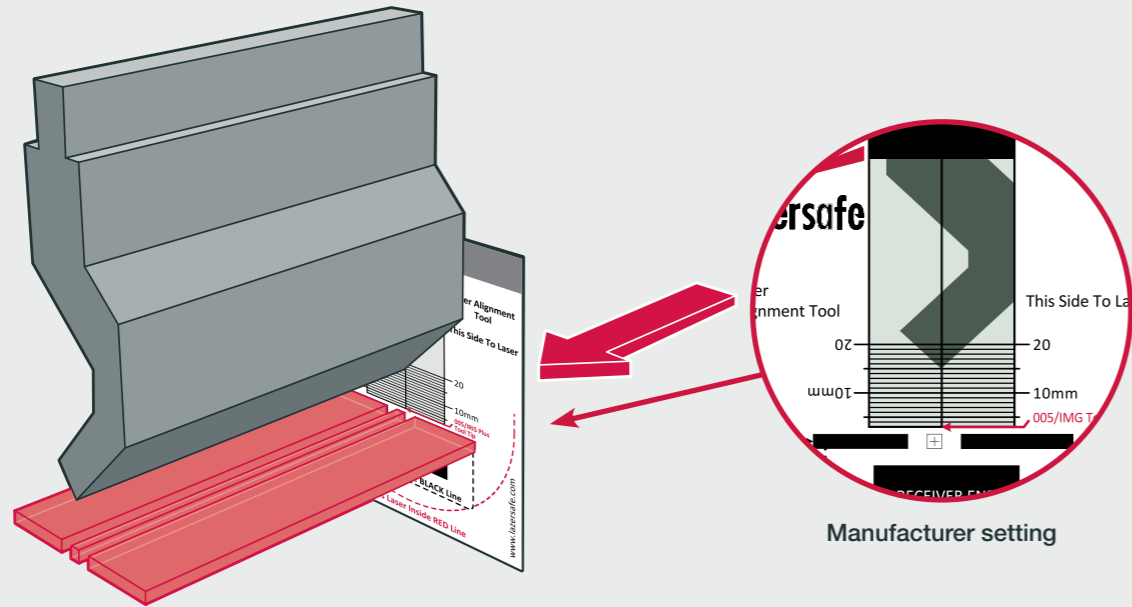
LS-CS-M-017 Rev 2.2

"Lazer Safe", "LZS-004", "LZS-004-HS", "LZS-LG", "LZS-LG-HS" and "LGD-0" are trademarks of Lazer Safe Pty Ltd.

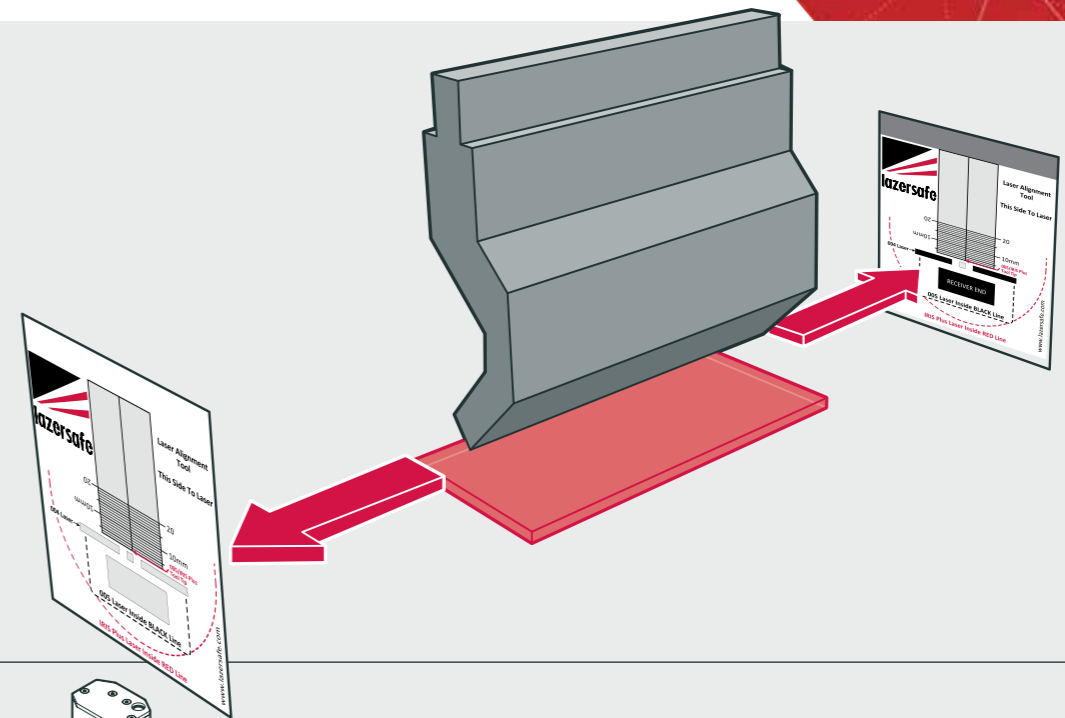
Planar Laser Alignment Guide



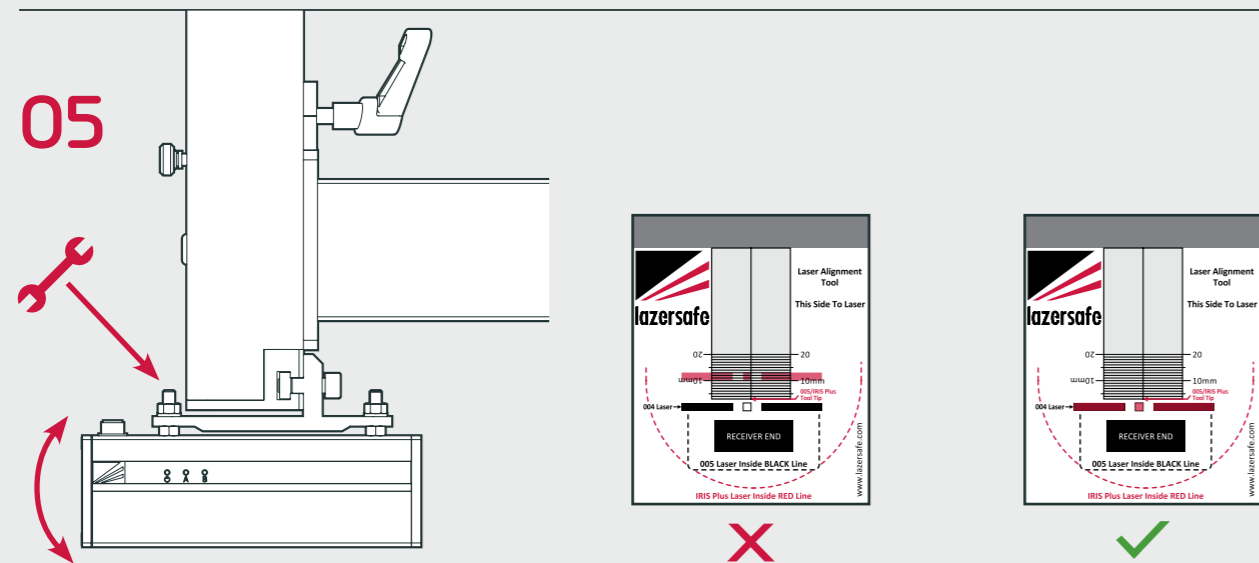
04



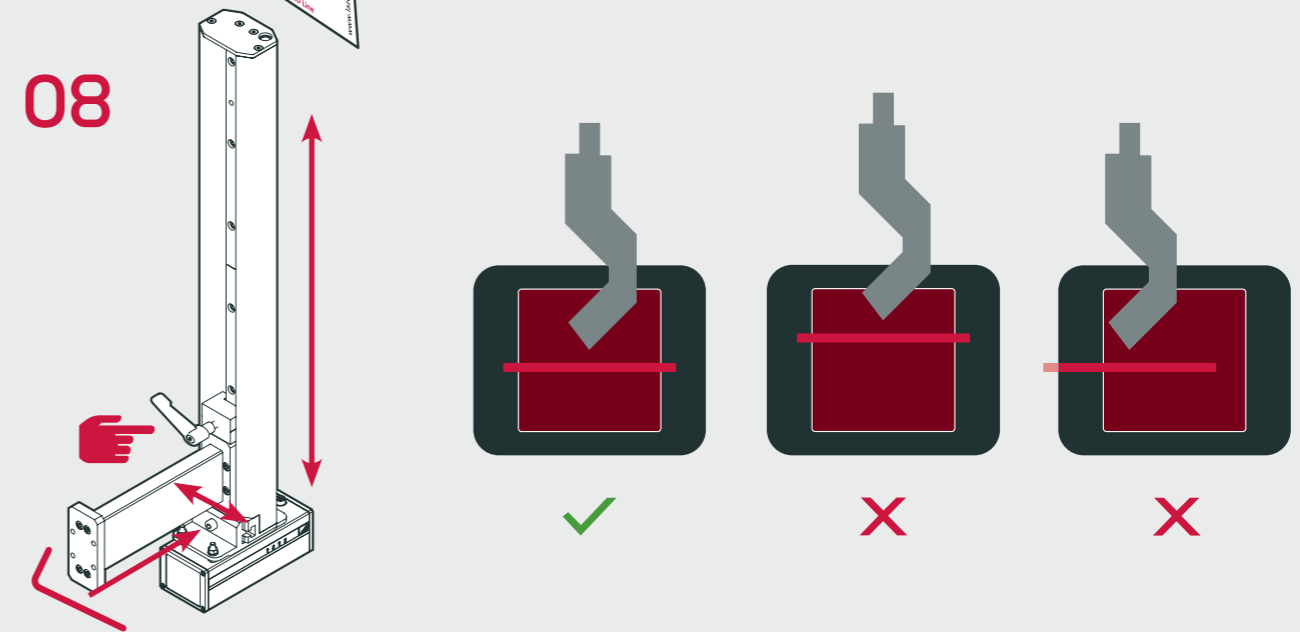
07



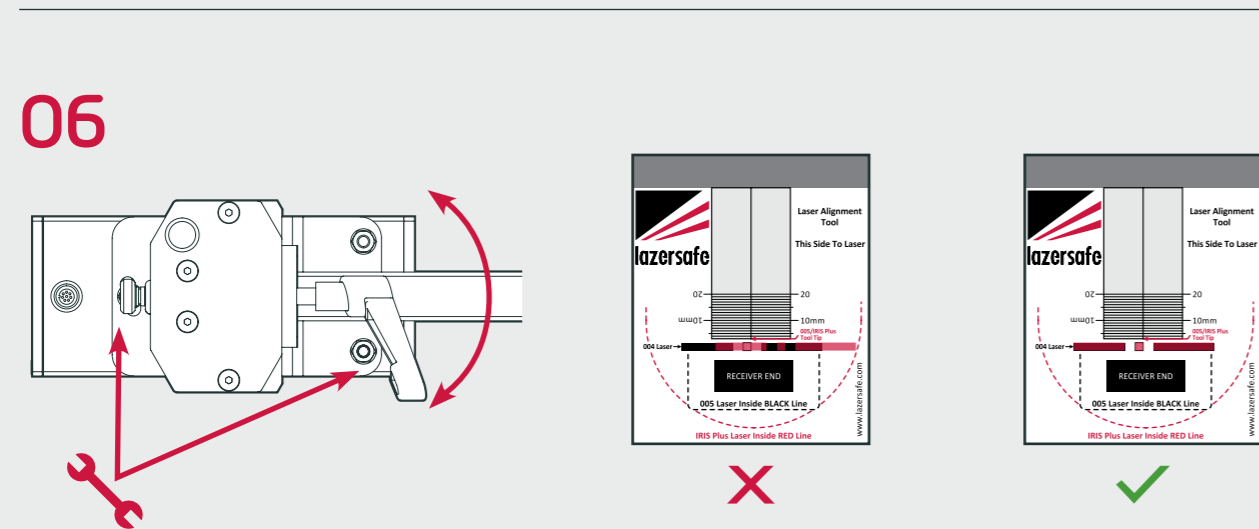
05



08



06



09

